

Focus

Focus 100 Single-Hole Faucet, 1.2 GPM

Finishes : **brushed nickel** Part no. : **04371820**



Description

Features

- Solid brass
- Aerated spray
- Flow: 1.2 GPM
- Ceramic cartridge
- Includes pop-up assembly

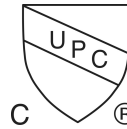
Item details

List Price \$ 300.00

Technology



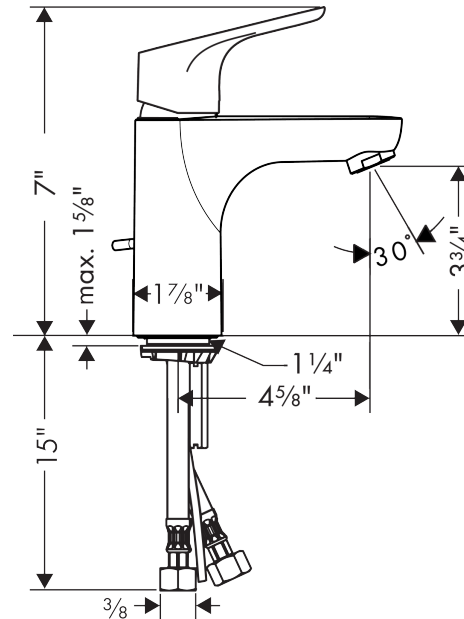
Compliance



Product image



Scale drawing



Focus

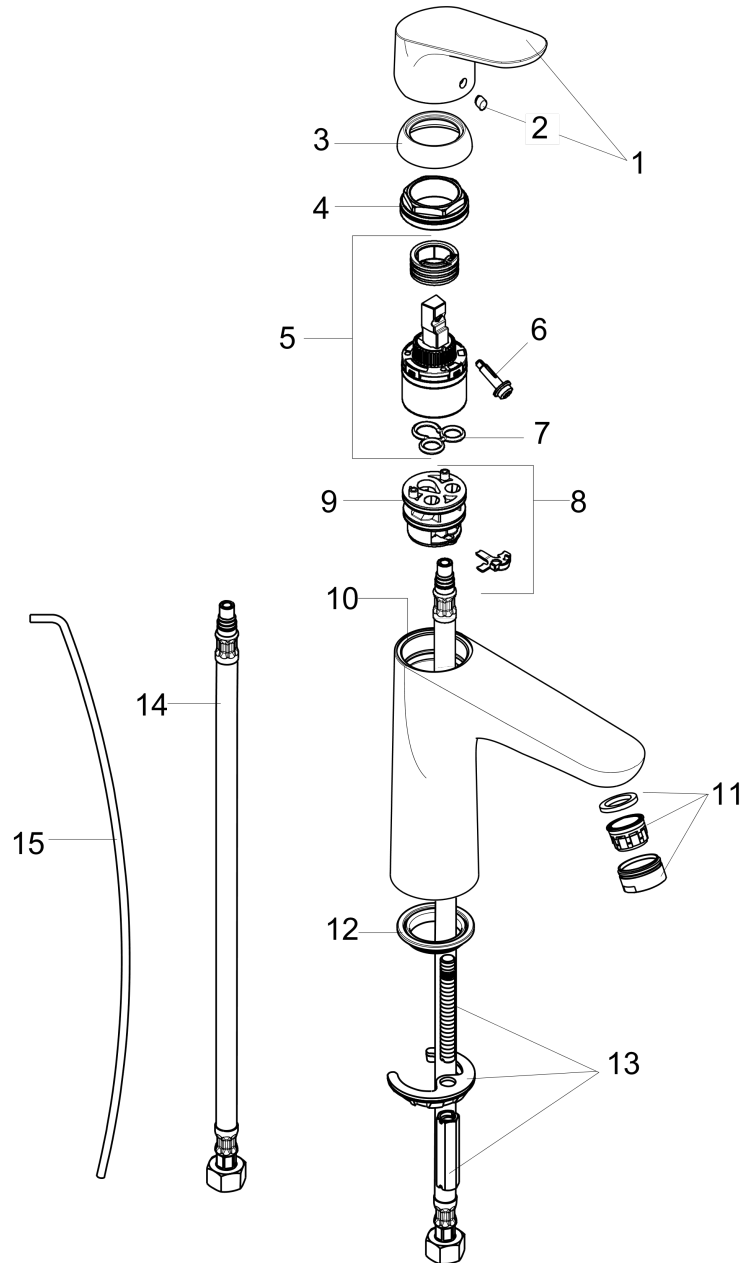
Focus 100 Single-Hole Faucet, 1.2 GPM

Finishes : brushed nickel Part no. : 04371820



Exploded drawing

Year of production: >07/16



Focus

Focus 100 Single-Hole Faucet, 1.2 GPM

Finishes : **brushed nickel** Part no. : **04371820**



Spare parts list

Year of production: >07/16

Pos.	Description	Part no.	Price	PU
1	handle	98532820	-	1
2	screw cover	96338000	-	1
3	flange	97406820	-	1
4	nut	97209000	-	1
5	cartridge, assy	95646001	-	1
6	locking screw for handle	95140000	-	1
7	seal	95008000	-	1
8	adapter for cartridge	98750000	-	1
9	O-Ring 30x2	98186000	-	1
10	O-ring 35x2	92604000	-	1
11	aerator M24x1 (4,5 l/min)	92877820	-	1
12	seal Ø 42	98722000	-	1
13	fixing set	88508000	-	1
14	connection hose 18½" M8x0,75 3/8"	96321001	-	1
15	pull rod	96657820	-	1
a	pop up waste	88509820	-	1